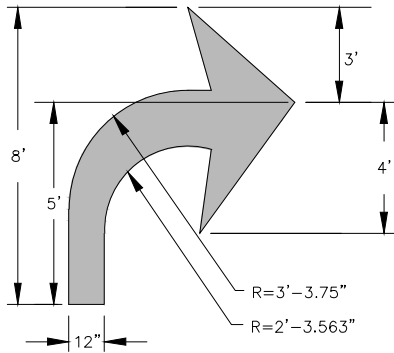
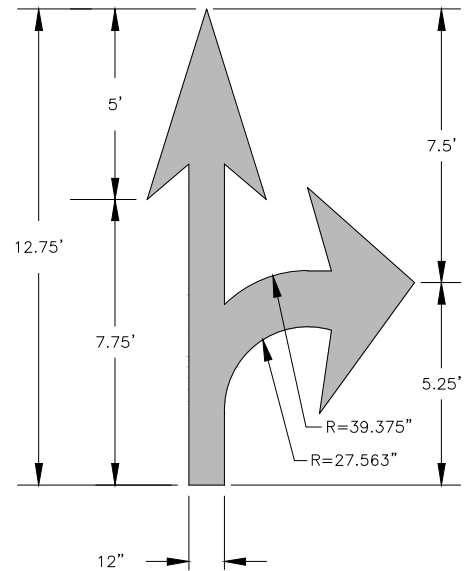


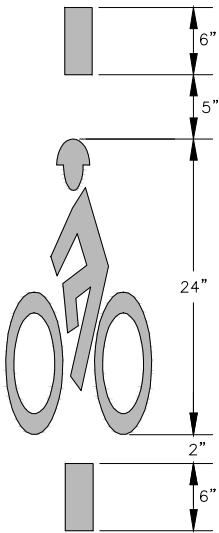
STRAIGHT ARROW



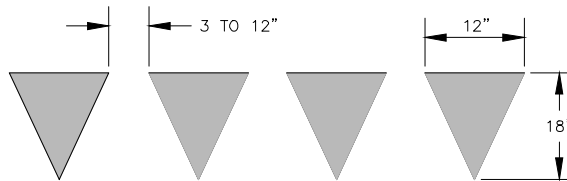
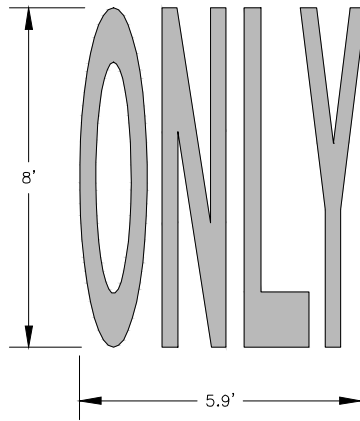
RIGHT OR LEFT TURN ARROW



COMBINATION STRAIGHT AND LEFT OR RIGHT TURN ARROW




HELMETED BICYCLIST SYMBOL



YIELD LINE LAYOUT

GENERAL NOTES

1-PAVEMENT MARKINGS, SYMBOLS AND DIMENSIONS SHALL BE DESIGNED PER MUTCD WITH APPROVAL FROM CITY TRAFFIC ENGINEERING, AND INSTALLED IN ACCORDANCE WITH NCDOT DIVISION 12 SPECIFICATIONS. SEE SD 11-01.

STANDARD DETAIL		 <p>CITY OF WILMINGTON ENGINEERING PO BOX 1810 WILMINGTON, NC 28402 (910) 341-7807</p>
DATE:	OCTOBER, 2012	
DRAWN BY	JSR	
CHECKED BY	BDR, P.E.	
SCALE	NOT TO SCALE	SD 11-03

**GUIDELINES FOR
PAVEMENT MARKINGS
AND SYMBOLS**