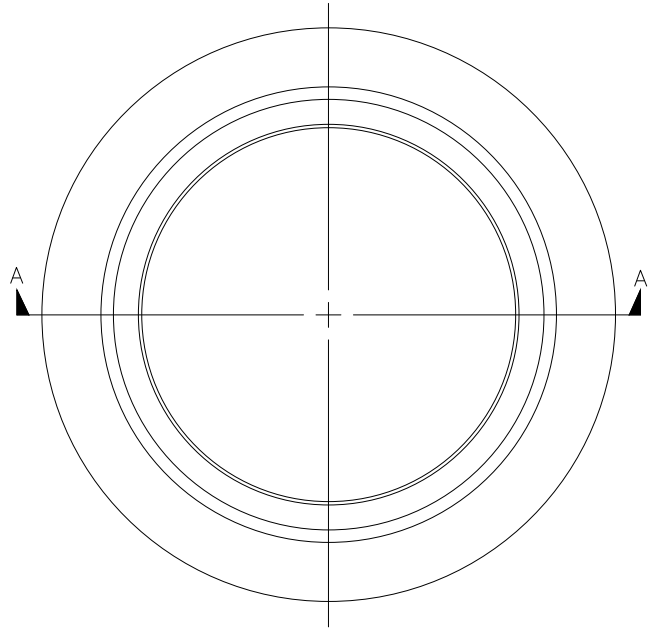
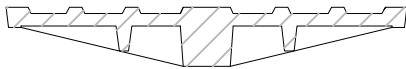


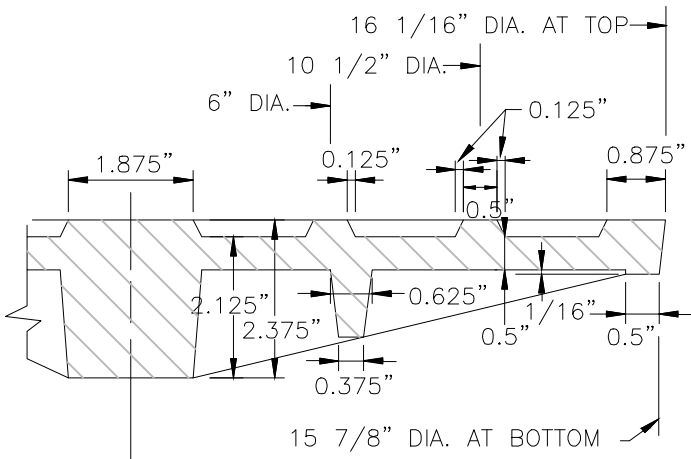
COVER PLAN VIEW
(TOP)



RING PLAN VIEW

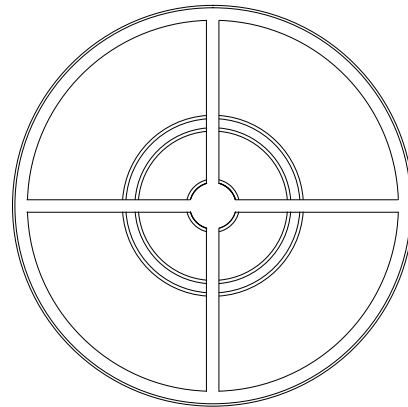


SECTION 'B-B'

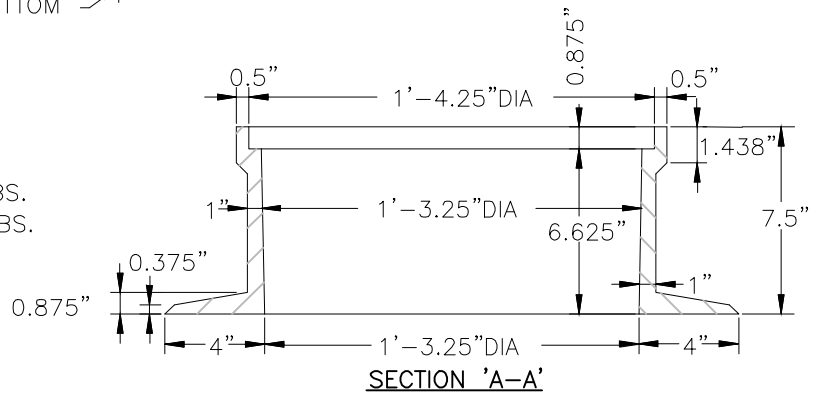


PART OF SECTION
ENLARGED

MINIMUM AVERAGE WEIGHT: RING 120 LBS.
COVER 40 LBS.



COVER PLAN VIEW
(BOTTOM)



SECTION 'A-A'

STANDARD DETAIL

MONUMENT
CASTING DETAIL



CITY OF WILMINGTON ENGINEERING
PO BOX 1810
WILMINGTON, NC 28402
(910) 341-7807

DATE: 2001
DRAWN BY JSR/CMR
CHECKED BY B.P., P.E.
SCALE NOT TO SCALE

SD 14-05