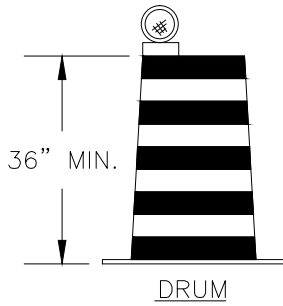
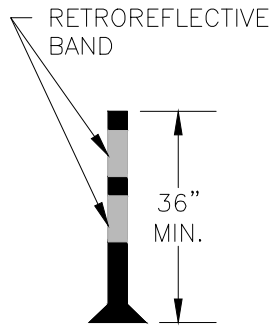


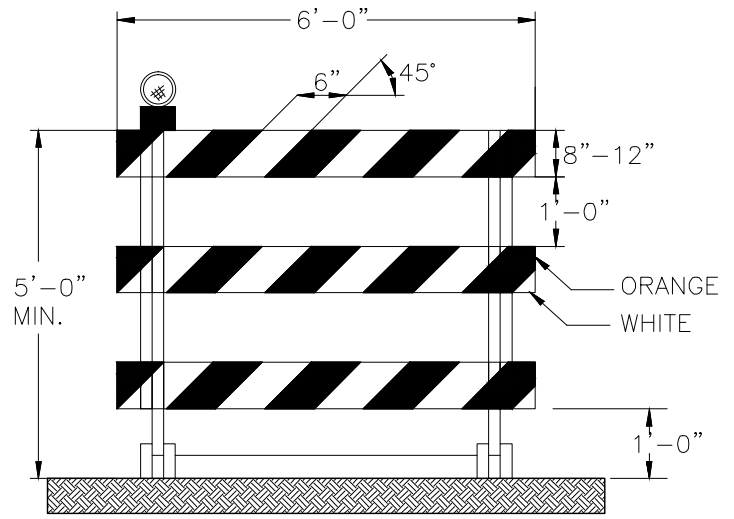
EXAMPLES ONLY:



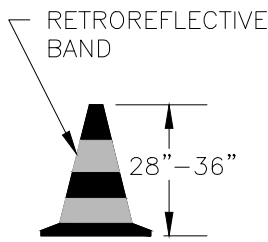
DRUM



TUBULAR MARKER



TYPE III BARRICADE



NIGHT AND/OR FREEWAY
HIGH-SPEED ROADWAY
(≥45 MPH)



DAY AND LOW-SPEED
ROADWAY (≤40 MPH)

CONES



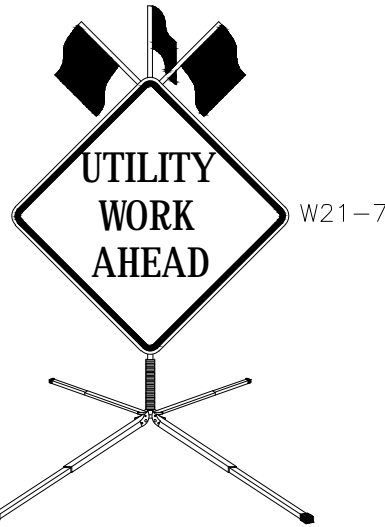
R11-3a



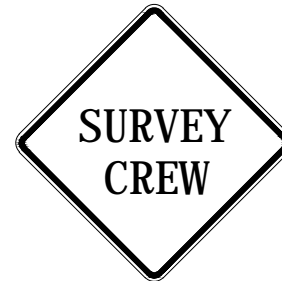
W20-3



R9-11a



W21-7



W21-6

- 1-ALL CONSTRUCTION, MAINTENANCE AND UTILITY WORK IN THE RIGHT OF WAY SHALL BE PERMITTED AND FOLLOW MUTCD (PART 6) AND/OR NCDOT GUIDELINES FOR TEMPORARY TRAFFIC CONTROL (TTC).
- 2-A TTC PLAN SHALL CONSIDER SAFETY AND ACCESSIBILITY OF ALL MOTORISTS, BICYCLISTS AND PEDESTRIANS AND BE PERMITTED BY THE CITY PRIOR TO PLACING SIGNS, ETC.

STANDARD DETAIL

DATE: DECEMBER, 2011

DRAWN BY JSR

CHECKED BY BDR., P.E.

SCALE NOT TO SCALE

GUIDELINES FOR
TEMPORARY TRAFFIC
CONTROL



CITY OF WILMINGTON ENGINEERING
PO BOX 1810
WILMINGTON, NC 28402
(910) 341-7807

SD 15-07