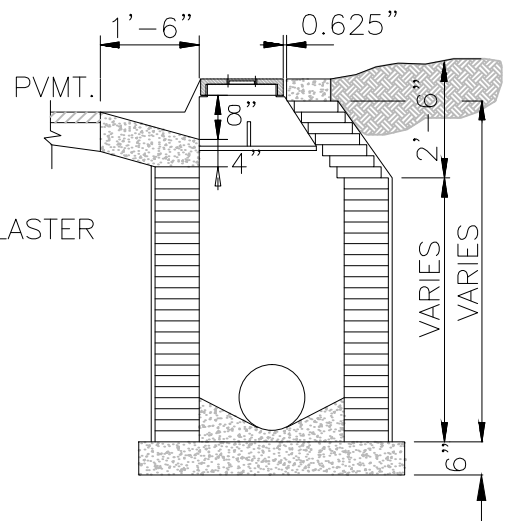
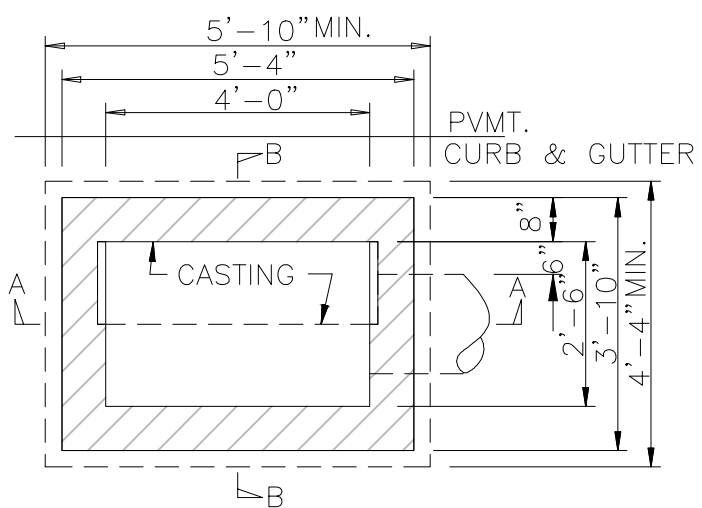


SECTION "A-A"



SECTION "B-B"



PLAN

NOTE:

1. 4" DEEP X 8" WIDE CONCRETE COPING ALL AROUND BASIN CASTING.
2. ALL CONCRETE TO BE CLASS "A"
3. FOR CASTING DETAIL SEE SD 2-16

STANDARD DETAIL		CATCH BASIN	 <p>CITY OF WILMINGTON ENGINEERING PO BOX 1810 WILMINGTON, NC 28402 (910) 341-7807</p>
DATE: 2006	DRAWN BY JSR/CMR		
CHECKED BY B.P., P.E.	SCALE NOT TO SCALE		