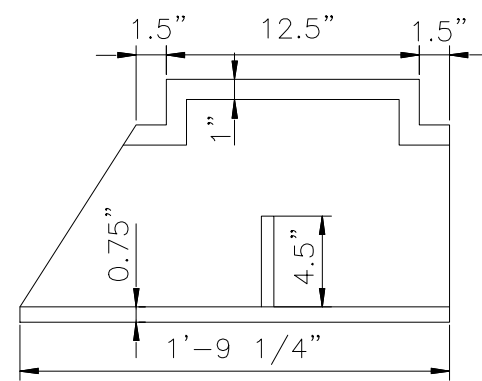
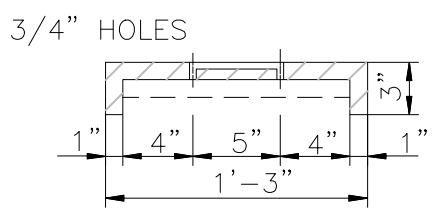
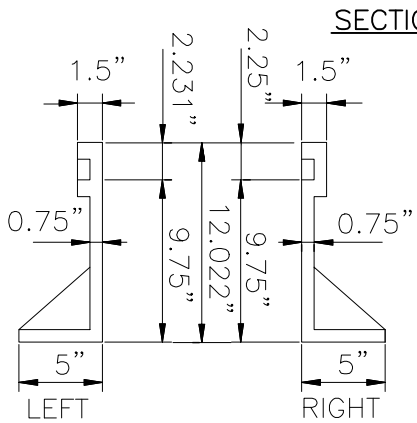
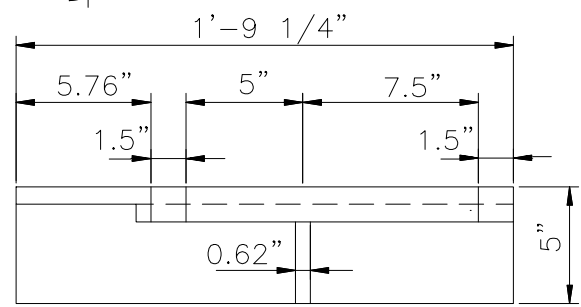
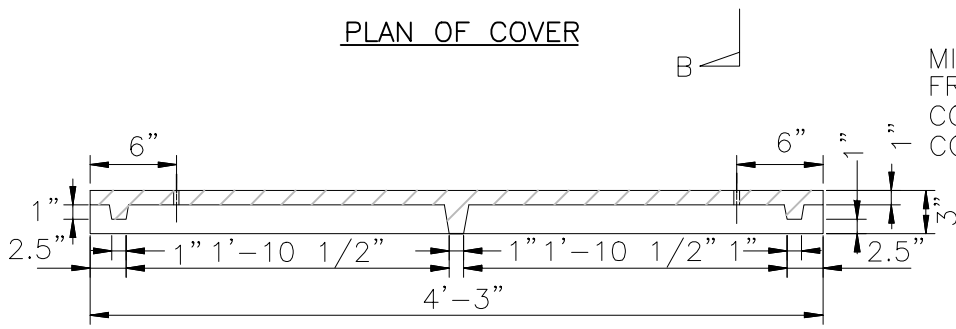



PLAN OF COVER

MINIMUM AVERAGE WEIGHT
 FRAME (EACH) 65LBS.
 COVER (RADIUS) 225 LBS.
 COVER (STR.) 225 LBS.



STANDARD DETAIL		 <p>CITY OF WILMINGTON NORTH CAROLINA</p> <p>CITY OF WILMINGTON ENGINEERING PO BOX 1810 WILMINGTON, NC 28402 (910) 341-7807</p>
DATE:	2001	
DRAWN BY	JSR/CMR	
CHECKED BY	B.P., P.E.	
SCALE	NOT TO SCALE	
CATCH BASIN CASTINGS DETAIL		SD 2-16