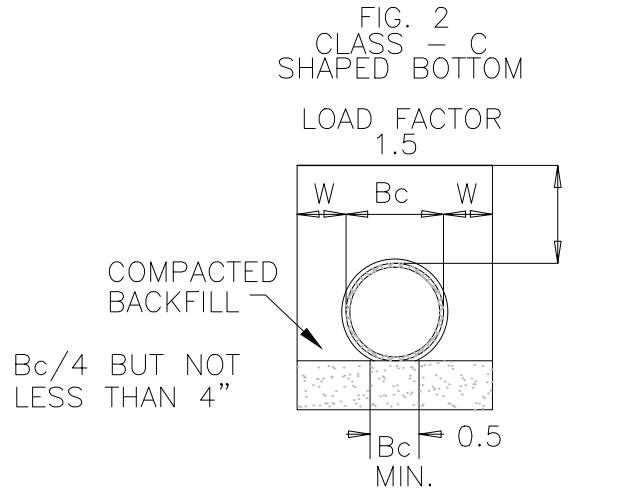
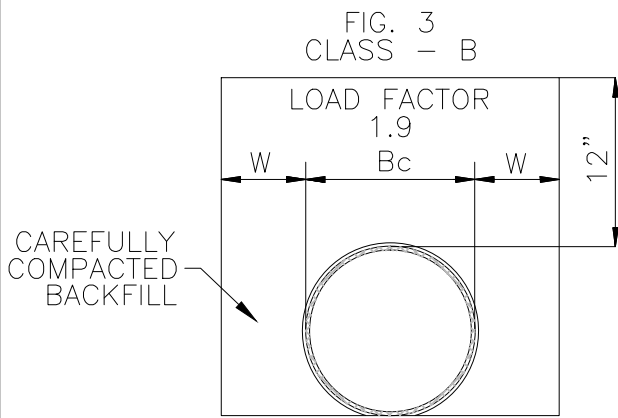


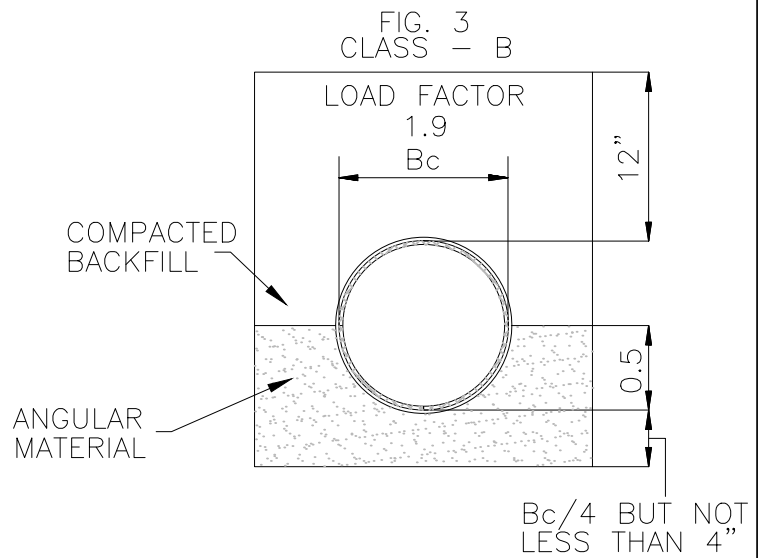
HAND SHAPED FROM  
FIRM UNDISTURBED SOIL



HAND SHAPED FROM  
ANGULAR BEDDING MATERIAL



HAND SHAPED FROM  
UNDISTURBED FIRM SOIL



DATE: 2001
DRAWN BY JSR/CMR
CHECKED BY B.P., P.E.
SCALE NOT TO SCALE

STANDARD DETAIL

**GUIDELINES FOR BEDDING  
DETAILS, STORM SEWER  
CLASSES (B & C)**

**CITY OF WILMINGTON**  
NORTH CAROLINA

CITY OF WILMINGTON ENGINEERING  
PO BOX 1810  
WILMINGTON, NC 28402  
(910) 341-7807

**SD 2-17**