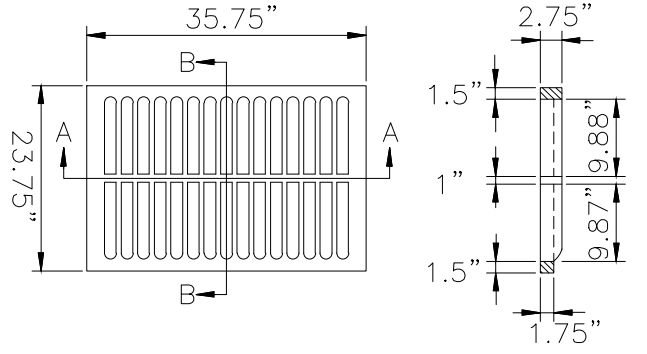
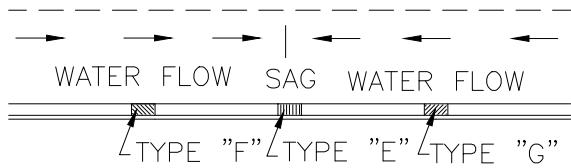
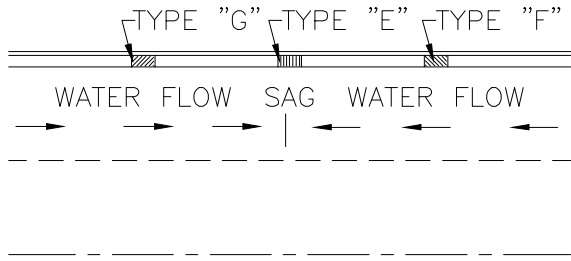
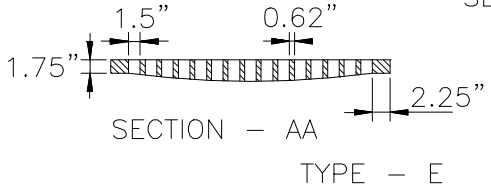


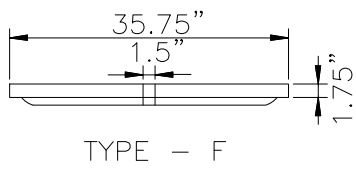
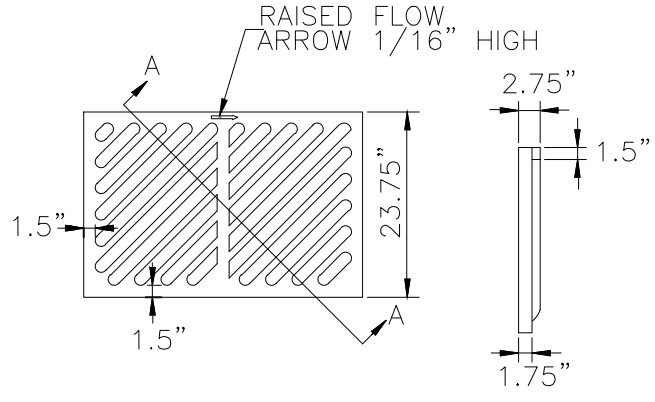
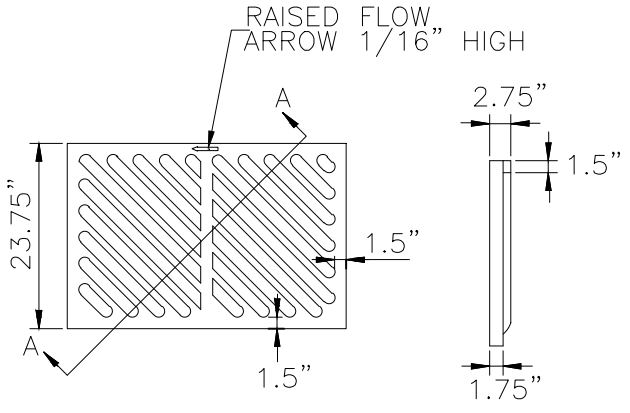
DETAIL SHOWING TYPES OF GRATES TO BE USED ACCORDING TO WATER FLOW.



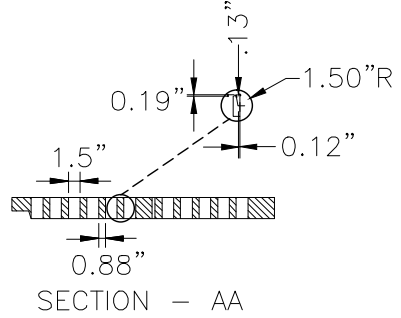
SECTION - BB



TYPE - E



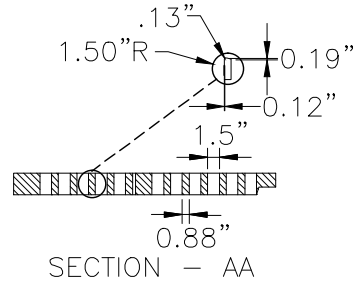
TYPE - F



SECTION - AA



TYPE - G



SECTION - AA

DATE: 2003
DRAWN BY JSR/CMR
CHECKED BY B.P., P.E.
SCALE NOT TO SCALE

STANDARD DETAIL

**CATCH BASIN GRATE
FOR 30" HOOD AND GRATE**

CITY OF WILMINGTON ENGINEERING
PO BOX 1810
WILMINGTON, NC 28402
(910) 341-7807

SD 2-20