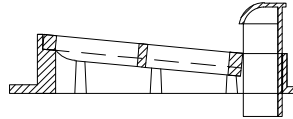
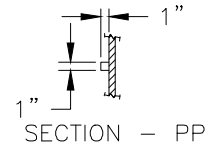


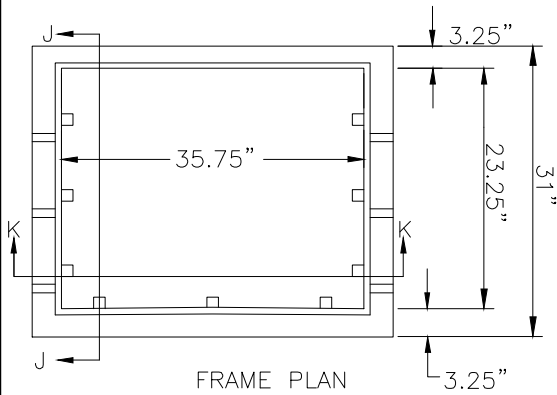
PLAN
FRAME, GRATE & HOOD ASS'Y



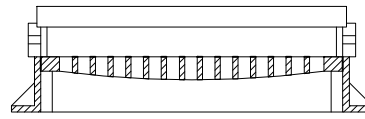
SECTION - BB



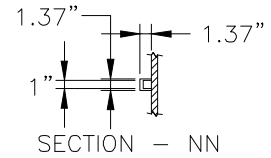
SECTION - PP



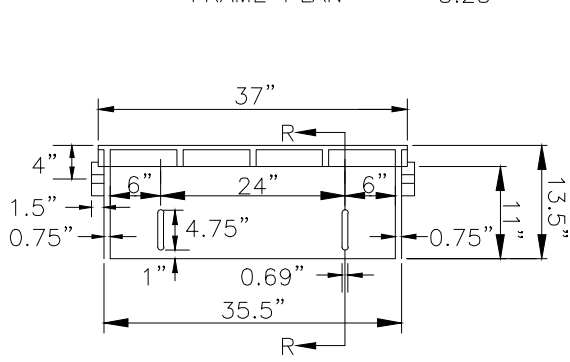
FRAME PLAN



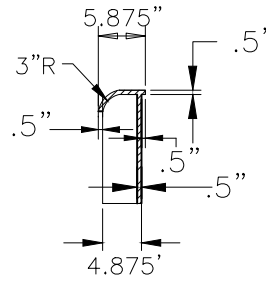
SECTION - AA



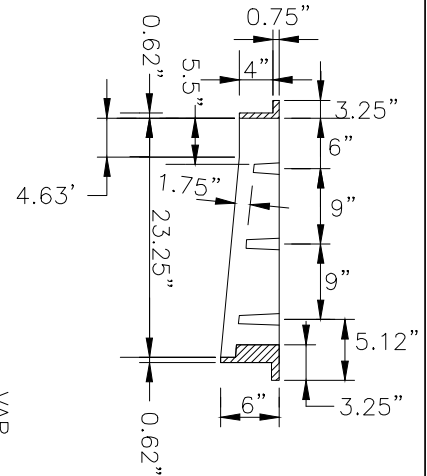
SECTION - NN



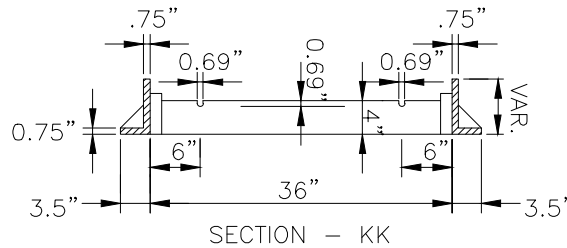
HOOD ELEVATION



SECTION - RR



SECTION - JJ



SECTION - KK

NOTE: USE TYPE "E", "F", & "G" GRATE UNLESS OTHERWISE INDICATED

STANDARD DETAIL

CATCH BASIN CASTING
FOR 24" HOOD AND GRATE



CITY OF WILMINGTON ENGINEERING
PO BOX 1810
WILMINGTON, NC 28402
(910) 341-7807

DATE:	2001
DRAWN BY	JSR/CMR
CHECKED BY	B.P., P.E.
SCALE	NOT TO SCALE

SD 2-21