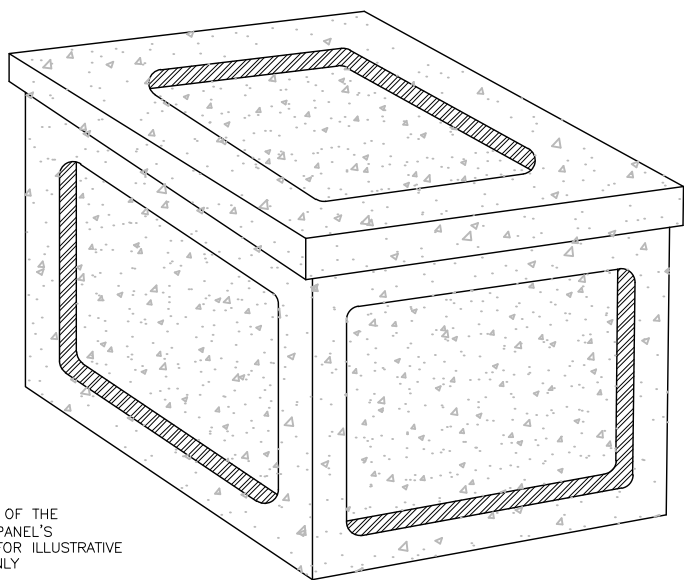


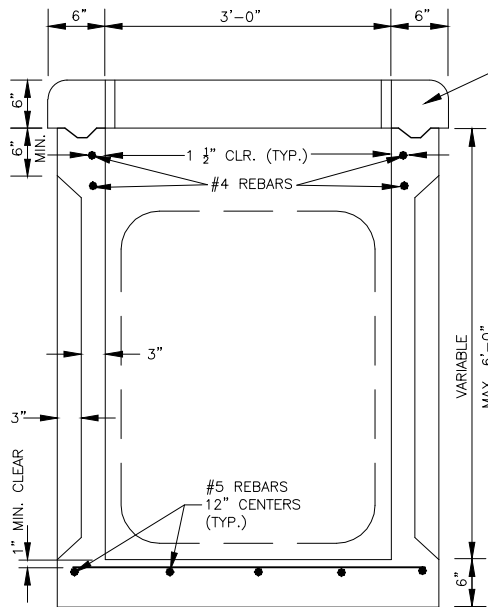
WAFFLE WALL PLAN VIEW



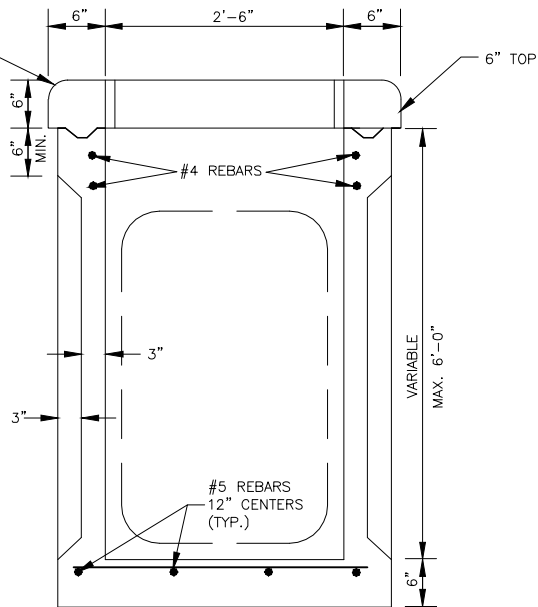
WAFFLE WALL ISOMETRIC VIEW

NOTE:
THE PATTERN OF THE
KNOCK-OUT PANEL'S
ARE SHOWN FOR ILLUSTRATIVE
PURPOSES ONLY

NOTE: SEE SD-23a FOR GENERAL NOTES.



SECTION "A-A"



SECTION "B-B"

DATE: 2001	
DRAWN BY JSR/CMR	
CHECKED BY B.P., P.E.	
SCALE NOT TO SCALE	

STANDARD DETAIL

**PRECAST WAFFLE
DRAINAGE STRUCTURE**

CITY OF WILMINGTON ENGINEERING
PO BOX 1810
WILMINGTON, NC 28402
(910) 341-7807

SD 2-23