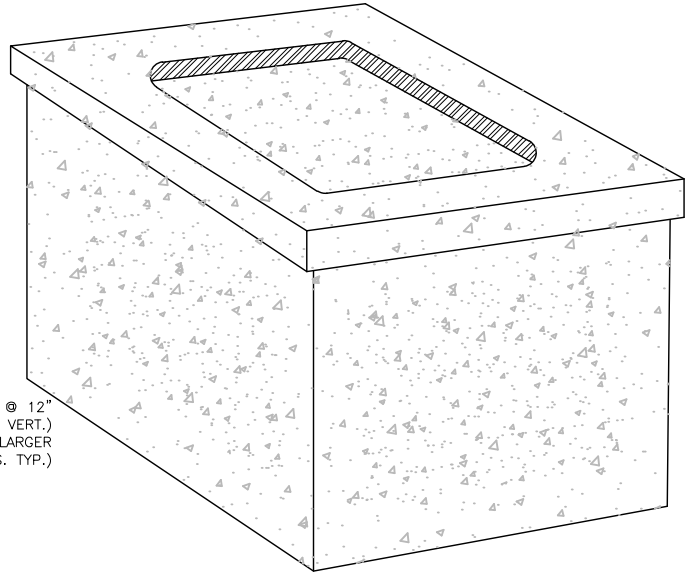
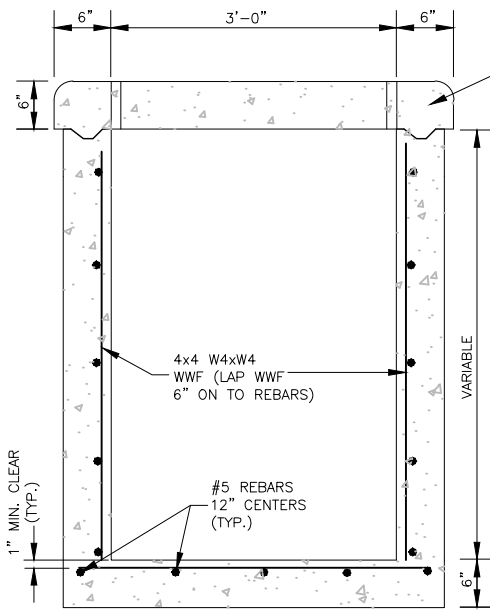


SOLID WALL PLAN VIEW

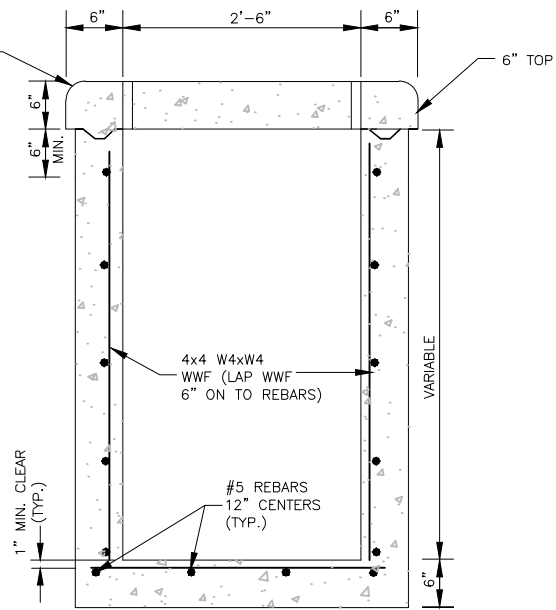


SOLID WALL ISOMETRIC VIEW

NOTE: SEE SD-24a FOR GENERAL NOTES.



SECTION "C-C"



SECTION "D-D"

| | |
|------------|--------------|
| DATE: | 2001 |
| DRAWN BY | JSR/CMR |
| CHECKED BY | B.P., P.E. |
| SCALE | NOT TO SCALE |

STANDARD DETAIL

PRECAST
DRAINAGE STRUCTURE
SOLID WALL

W CITY OF
WILMINGTON
NORTH CAROLINA

CITY OF WILMINGTON ENGINEERING
PO BOX 1810
WILMINGTON, NC 28402
(910) 341-7807

SD 2-24