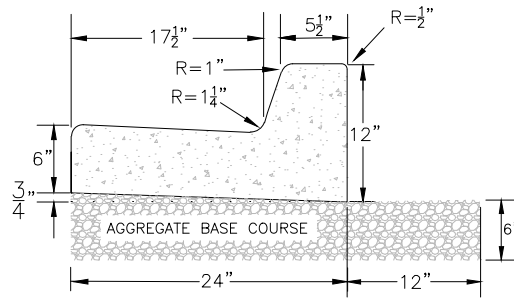
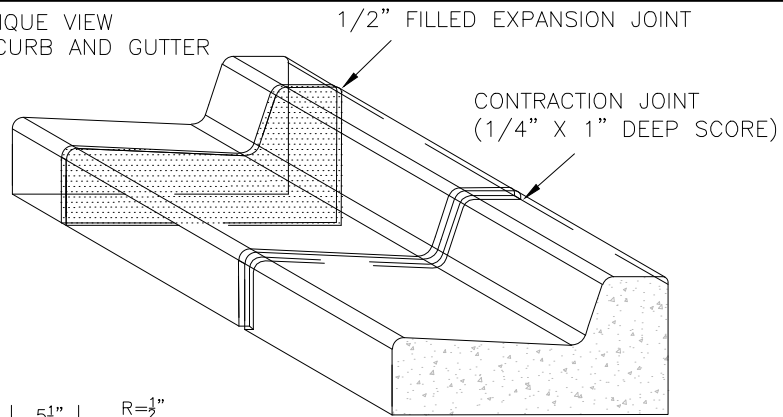
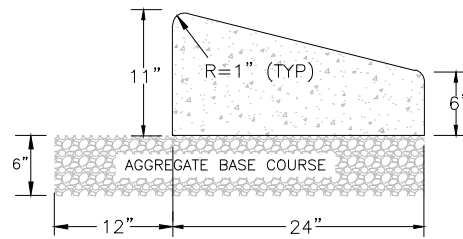


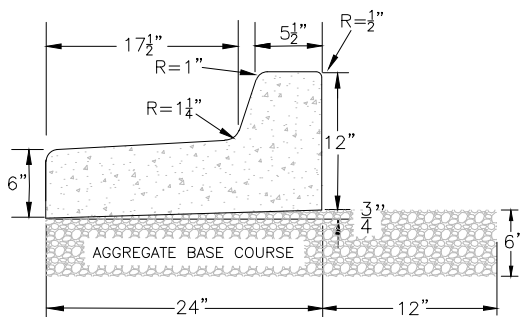
OBLIQUE VIEW  
VERTICAL CURB AND GUTTER



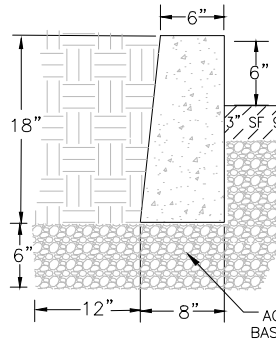
VERTICAL CURB AND GUTTER



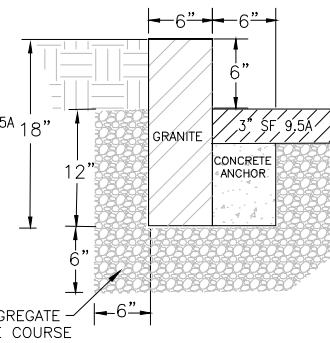
SLOPE CURB



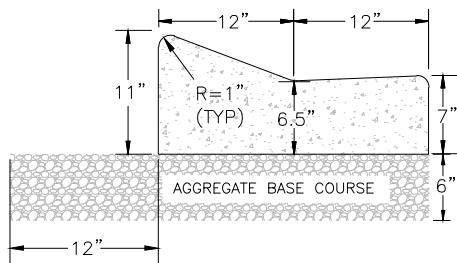
MEDIAN VERTICAL CURB AND GUTTER



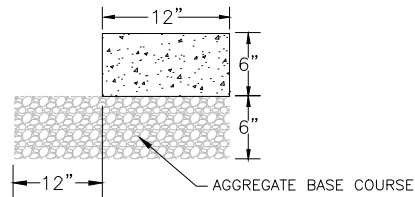
VERTICAL CURB



GRANITE CURB



VALLEY CURB



HEADER CURB

- NOTES: 1. EXPANSION JOINT MATERIAL TO COMPLY WITH CURRENT NCDOT STANDARDS  
 2. 50' MAX EXPANSION JOINT SPACING, 10' MAX CONTRACTION JOINT SPACING  
 3. MINIMUM INSTALLATION LENGTH IS 5 FT.  
 4. CONCRETE TO BE 3000 PSI MIN  
 5. VERTICAL CURB AND GUTTER BASE CAN BE SLOPED 3/4" OR USE A FLAT BASE

STANDARD DETAIL

DATE: AUGUST, 2011

DRAWN: PB/JSR

CHECKED: DEC

SCALE NOT TO SCALE

CURBING



CITY OF WILMINGTON ENGINEERING  
 PO BOX 1810  
 WILMINGTON N.C. 28402  
 (910) 341-7807

SD 3-11