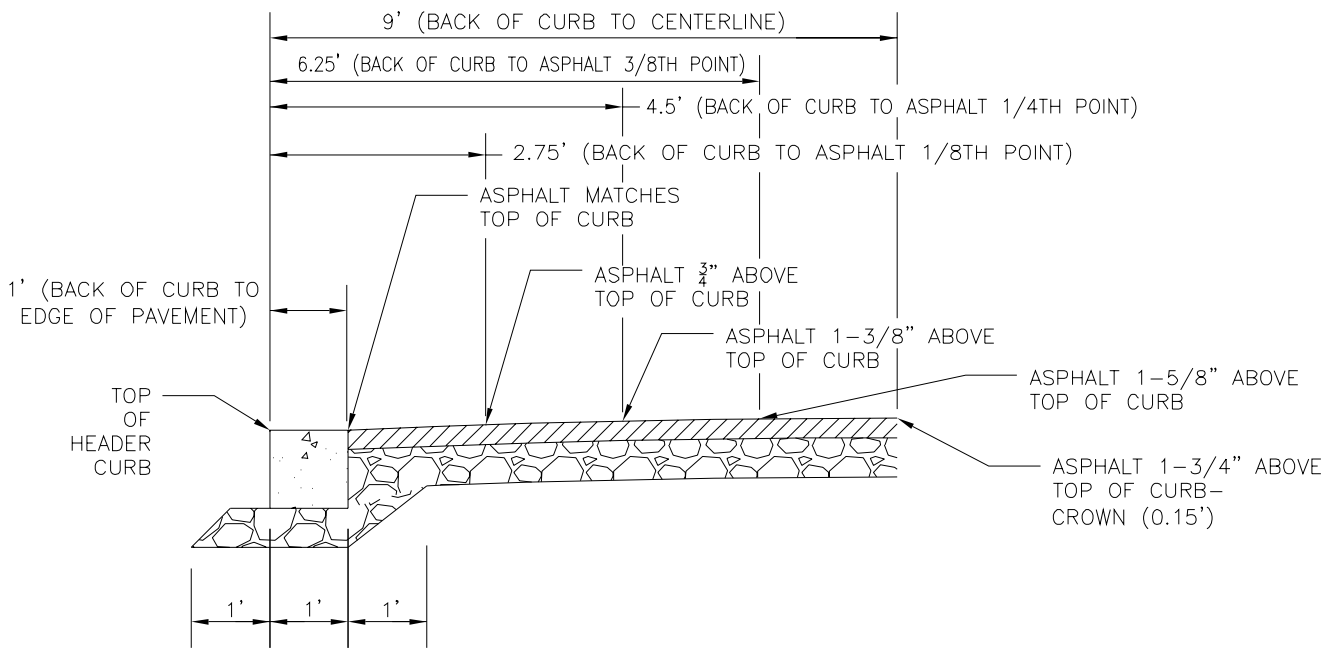



- NOTES:
1. ADDITIONAL UTILITY EASEMENTS MAY BE REQUIRED.
  2. INVERTED CROWN OR SUPERELEVATED SECTION MAY BE APPROVED BY CITY ENGINEER.

ALLEY WITH HEADER CURB (SECTION)



ALLEY WITH HEADER CURB (CROWN)

<b>STANDARD DETAIL</b>		 <p>CITY OF WILMINGTON ENGINEERING PO BOX 1810 WILMINGTON N.C. 28402 (910) 341-7807</p>
DATE: AUGUST, 2024	<b>ALLEY WITH HEADER CURB (SECTION AND CROWN)</b>	
DRAWN BY JSR		
CHECKED BY D.E.C., P.E.		
SCALE NOT TO SCALE		<b>SD 3-01.9</b>